

LED ILLUMINATED ALUMINIUM CABINETS

808024R-LED-MC
808048R-LED-MC

The product is ETL certified .

Original certification model code : LMBC2432 LMBC4832

WARNING:

All fittings must be installed by a trained professional.

Switch off the electrical supply on the main unit Before installation and maintenance.

Suitable for Bathroom Zones 2, 3 and non bathroom/dry areas. See diagram below.

Not suitable for the above Bath Zones (Zone "0" & Zone "1") nor for installation in Saunas, Steam Rooms or Shower Cubicles.

DO NOT connect to a plug and socket outlet.

Rated IP44 and suitable for indoor use only.

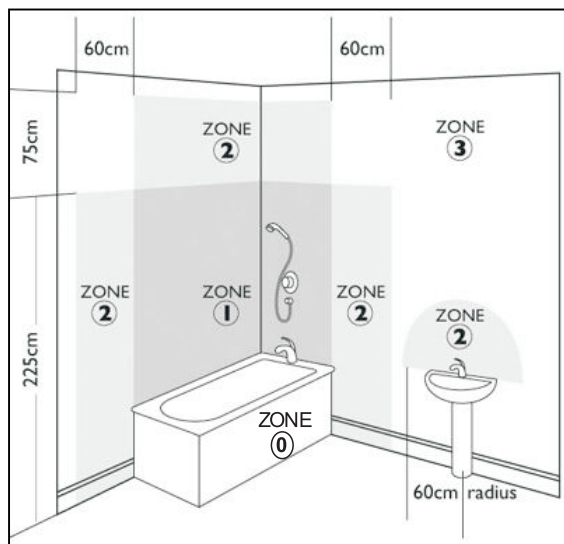
Do not fix to damp or conductive surfaces.

Site well away from curtains and fabrics.

Never cover the mirror.

Switch off after use

Do not leave on for prolonged periods.



IMPORTANT! BEFORE YOU BEGIN

Inspect the product immediately upon receipt for transit damage, missing parts or manufacturing faults.

Handle the product with care and protect against knocks to all sides and edges of the glass.

Fixings supplied are for use in solid walls, hollow or stud walls will require specialist fixings available from your hardware supplier

Make sure that you have all the tools you need to complete the job (SEE BELOW)

Ensure there are no hidden pipes or cables in the wall before drilling.

If drilling holes in ceramic tiles use a piece of masking tape on the tile to stop the drill bit from slipping.

AFTERCARE INSTRUCTIONS

Clean using a soft dry cloth only when turned off.

Never use cleaning agents or abrasive materials.

Do not allow moisture to come into contact with the lamps.

TOOLS REQUIRED



CONTAINS:

808024R-LED-MC

1 x Mirror cabinet, 4 x screws and 4 x wall plugs

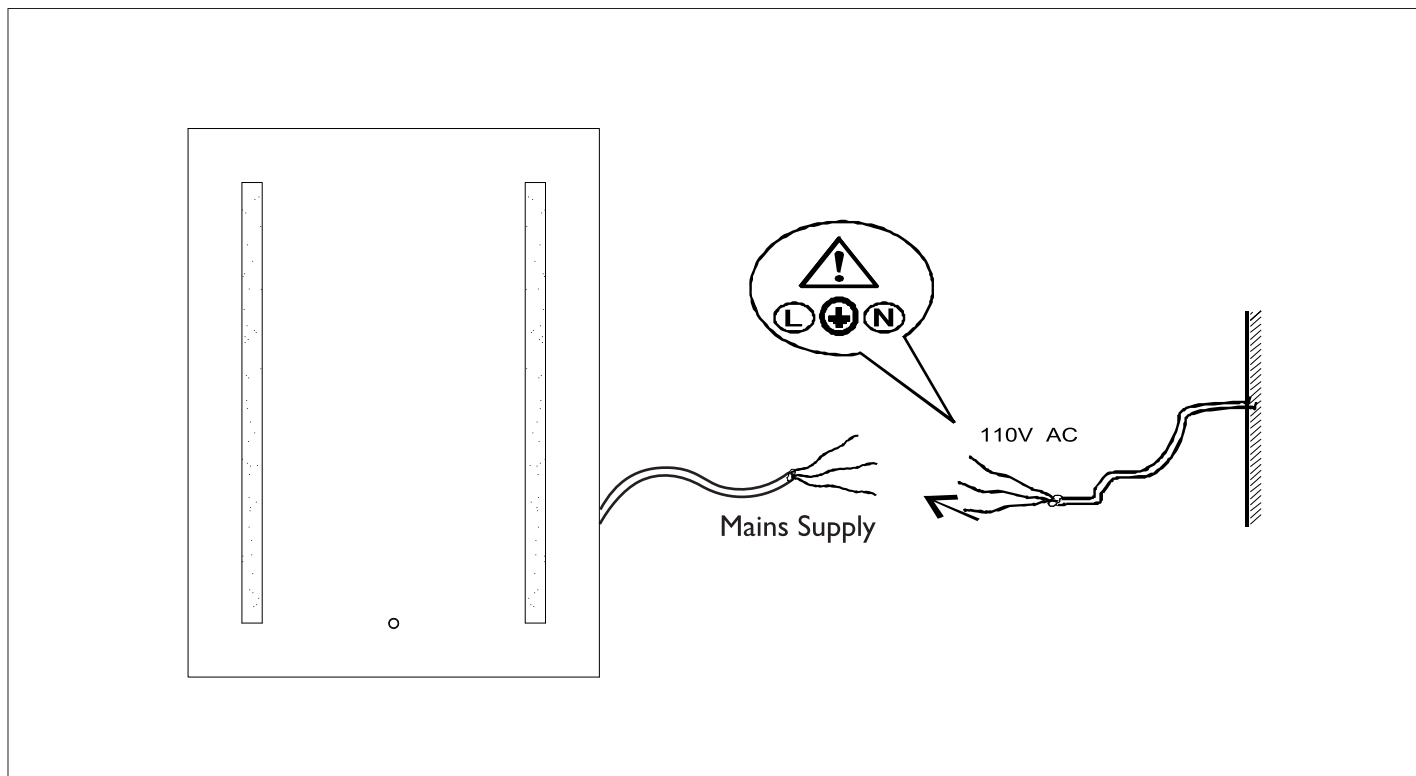
808048R-LED-MC

1 x Mirror cabinet, 5 x screws and 5 x wall plugs

INSTALLATION INSTRUCTIONS

1. Switch off the electrical supply at the mains before beginning
2. Using the template, mark the wall with a pencil.
3. Ensure that the mirror cabinet is level and check there are no hidden pipes or cables before drilling.
4. Wearing suitable eye protection, drill 4 holes using a 6mm drill bit and fix the wall plugs and screws in place leaving the end of the screw head protruding from the wall.
5. Make the electrical connections in accordance with current IEE wiring regulations. If in doubt consult your electrician.
6. Carefully hang the mirror.
7. Switch on the mirror lights.

Installation Instructions:



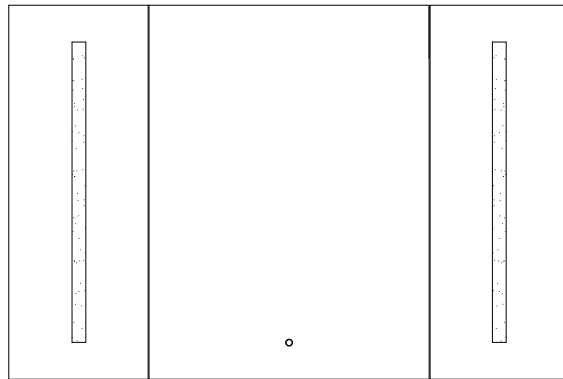
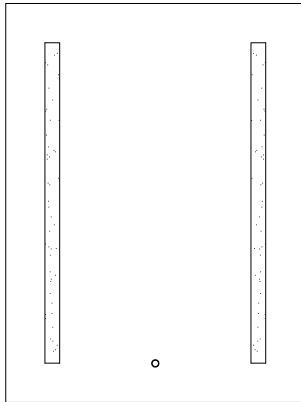
The first step is to make the electrical connection from the mirror to the mains supply. Use the connection wire found at the rear of the mirror to make the necessary connections. A second person will need to hold the mirror in place whilst electrical connections are made.

⚠ Electric Outlet: This outlet only suitable for those appliances with low power such as shaver or electric toothbrush, the maximum watts of this outlet is 500W.

**THIS PRODUCT IS MANUFACTURED TO CLASS I
CATEGORY AND MUST HAVE AN EARTH CONNECTION.**

COLOUR CODING: L - Live = Black N - Neutral = White ⊕ - Earth = Green	Strip wires to a suitable length. DO NOT connect to a plug & socket outlet.
---	---

! IF IN DOUBT CONSULT YOUR ELECTRICIAN !



IMPORTANT

DO NOT strike glass components with hard or pointed items. **DO NOT** place very hot or very cold items against or in close proximity to glass surfaces unless an adequately thick insulation material is used to prevent such items coming in contact with the glass. The nominal thickness of the mirror glass used in this product is 1/4" and is film backed for safety. If the glass becomes chipped or broken replace immediately.

ELECTRICAL SAFETY INSTRUCTIONS

All connections must be installed by a licensed electrician, in accordance with current building codes. Consult a qualified electrician.

IMPORTANT

Always switch off the electrical supply at the main during installation and maintenance. It is recommended that the circuit breaker is switched off for the necessary circuit before installation commences.

Fitting in Bathrooms is subject to the appropriate building code Regulations. This product is **NOT** suitable for outside zones. It is also **NOT** suitable for installation in saunas, steam rooms or shower cubicles. This product is only suitable for permanent installation. **DO NOT** connect to a trailing plug and socket outlet. This product is only suitable for indoor use. **DO NOT** attach the product to surfaces that are damp or otherwise electrically conductive.

INSTALLATION CARE & SAFETY

Wear suitable eye protection when drilling. Take care when using power tools. Beware of hidden cables or pipes. Take care if drilling on tiled surfaces in case the drill slips. A piece of masking tape applied to the wall before marking out the fixing holes will stop the drill from wandering.

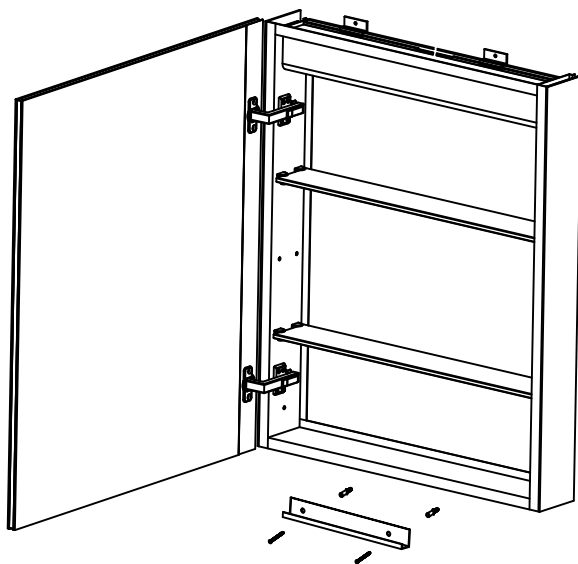
CLEANING

It is recommended that the unit is cleaned with a soft, dry, non abrasive cloth when turned off. Never use cleaning agents or abrasive materials on any type of surface finish. **DO NOT** allow moisture to come into contact with the electrical components.

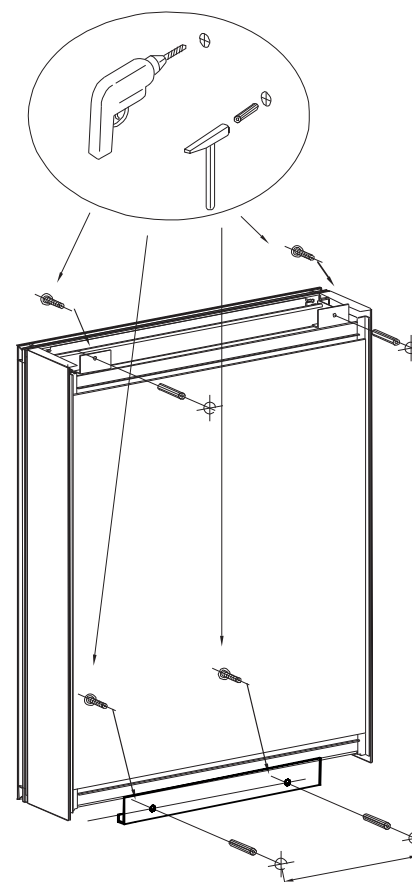
Assembly instruction for wall mount installation

1. Measure the length,width,depth of back of cabinet for wall mount
2. Fix the screws of the supporting bracket at the desired location. (See diagram D)
3. With the cabinet mounted at the supported bracket, mark the location of the top slideable brackets and fix the screws (see diagram E). Hint: The electrical supply must be connected before fixing the top brackets.
4. Before making any electrical connections it is necessary to turn off the main electricity supply. This unit is provided with a supply cable already fitted. This cable should be fitted to the household lighting circuit or to a fused 3 AMP supply.

(Diagram D)

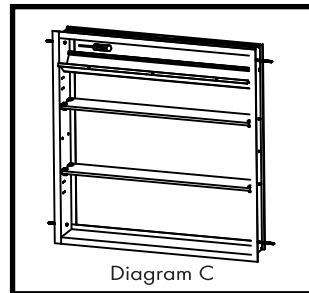
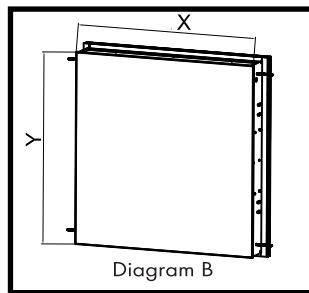
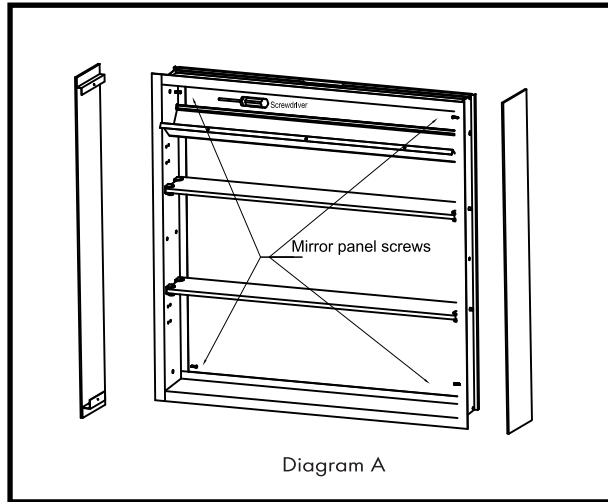


(Diagram E)



Assembly instruction for recess installation

808024R-LED-MC
808048R-LED-MC

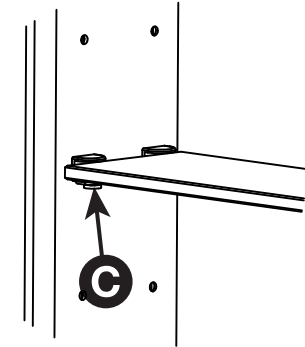


- 1.** Remove the fixing screws of mirror sides for recess installation (see diagram A)
 - (1). Remove the top aluminum cover screws and open it .
 - (2). Find the mirror panel screws , remove the screws so that to remove the mirror panels .
- 2.** Measure the length,width,depth of back of cabinet for recess (see diagram B)
- 3.** Fixing the screw after cabinet installed on proper position, put the decorating cap on after installed (see diagram C)
- 4.** Before making any electrical connections it is necessary to turn off the main electricity supply. This unit is provided with a supply cable already fitted. This cable should be fitted to the household lighting circuit or to a fused 3 AMP supply. Connections should be made in accordance with the latest regulations. This cabinet is manufactured to CLASS 1 and requires an earth connection.

Operation Instructions :

- 1.Quick touch the light switch for LED color change (3 options available: warm, neutral, and cool).
- 2.Press and hold the light switch to activate dimmer function.

5 .Fitting the glass shelves.
Firstly insert a shelf into the top two shelf support brackets then slide upwards so the grub screws on the underside of the support brackets (Screw **C**) can be sufficiently tightened to hold glass in place. Repeat for the bottom shelf (NOTE: be careful not to overtighten). Shelves can be positioned accordingly by sliding the supports up or down (NOTE: Take care to use both hands when sliding shelves and ensure that support brackets at both ends slide simultaneously).



6. If the doors are out of alignment first remove the soft-close buffer (from the relevant hinges) which clips into the main hinge plate. The soft-close hinges offer adjustment in 3 directions via adjustment screws **D** and **E** (see diagram).

